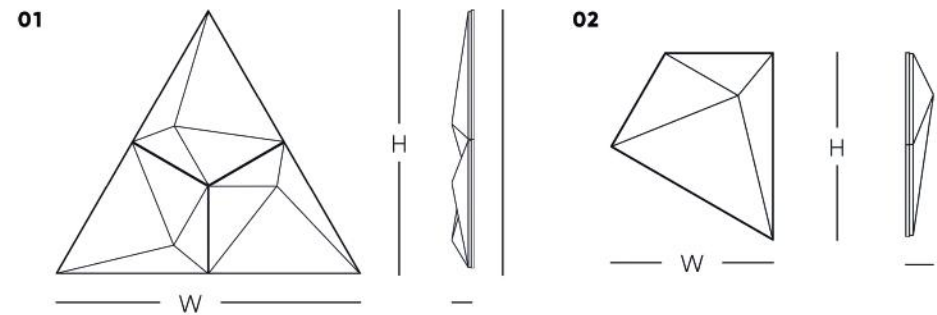


# TECHNICAL DATA LUX



**REACTION TO FIRE**  
A1



**ABSORPTION**  
W1



**FREEZE/THAW RESISTANCE**  
Resistant 97%



**COLOR FASTNESS**  
Unchanging



**COLOR TONE DIFFERENCE**  
V1



**THICKNESS**  
+/- 10%



**FLEXURAL STRENGTH**  
F1



**SURFACE QUALITY**  
A1



**THERMAL SHOCK RESISTANCE**  
Resistant 92%



**THERMAL CONDUCTIVITY**  
1,3 W/m<sup>2</sup>k



**SIZE ACCURACY**  
+/- 0,5%



**IMPACT RESISTANCE**  
5J



**ADHESION**  
Appropriate



| 01          | 02            |
|-------------|---------------|
| 41cm x 35cm | 17,5 x 20,3cm |

| ESPESOR |      |
|---------|------|
| 30mm    | 30mm |

| UNIDADES M <sup>2</sup> |             |
|-------------------------|-------------|
| 14,7 unidades           | 44 unidades |

| PESO PIEZA |       |
|------------|-------|
| 2,7kg      | 880gr |

**PESO M<sup>2</sup>**  
38kg

**COLORES**  
Carta RAL | Carta NCS | Metalizados

**ACABADOS DISPONIBLES**  
Mate | Brillo | Metalizado | Texturizado

**MATERIAL**  
Mineral Composite

**UBICACIÓN**  
Interior | Exterior